

IBEX OVEN

Solid-State Radio Frequency Oven



SELL SHEET



SPECIFIER STATEMENT

Patented convection perforation design. 304 stainless steel insulated cooking chamber. Corrosion-resistant stainless steel exterior walls. Ergonomic handle with cool-touch exterior design. FDA-approved black powder-coat finish.

Overall Dimensions:
 32.2" W x 30.5" D x 26.7" H

MODELS

- IBEX1AV1PBB** 208V, 1 Phase
- IBEX1AV3PBB** 208V, 3 Phase
- IBEX1BV1PBB** 240V, 1 Phase
- IBEX1BV3PBB** 240V, 3 Phase

STANDARD FEATURES

- Patented Solid-State Radio Frequency – Precision technology that gently and evenly heats to reduce cook time by more than 50% with unparalleled lifespan and reliability
- Closed-Loop Heat Intelligence™ – Real-time, adaptive heat-sensing system that provides ultra-precise and repeatable RF-cooking guidance
- True-Signature Cooking™ – Heating algorithms designed for custom menus and common kitchen operations
- Anywhere Ventless™ Technology – Certified-ventless cooking capability with catalytic converter for UL710B (KNLZ) operation
- 2-Tap Start – Intuitive, full-color, 7-inch capacitive touch interface designed for ease of use, operational speed and capability to store up to 600 recipes
- Easy-Connect™ – Ability to program, upload or transfer recipes and unique cooking functions via USB port to expand menu offerings
- Two-Level Full Batch Capacity – For cooking large batches or multiple dishes simultaneously
- Multi-Product Cooking – No time wasted waiting for one dish to finish before starting the next
- Accommodates industry-standard cooking trays (metallic U.S half sheet, high-temp plastic and silicone cookware, ceramic cookware)
- 8-lb cooking tray capacity per level
- 12 months parts and labor limited warranty – conditions apply

ACCESSORIES (PACKAGED AND SOLD SEPARATELY)

- Griddle Plate (IBEXAPL1)
- Speed Peel (IBEXASP1)
- 2-Level Cooking Platform (IBEXATR1)
- Heat Shield - Left Side (IBEXHGL1)
- Heat Shield - Right Side (IBEXHGR1)
- Mobile workstation cart
- Stacking cart

IBEX OVEN – Solid-State Radio Frequency Oven

Approved by _____ Date _____ Approved by _____ Date _____



IBEX

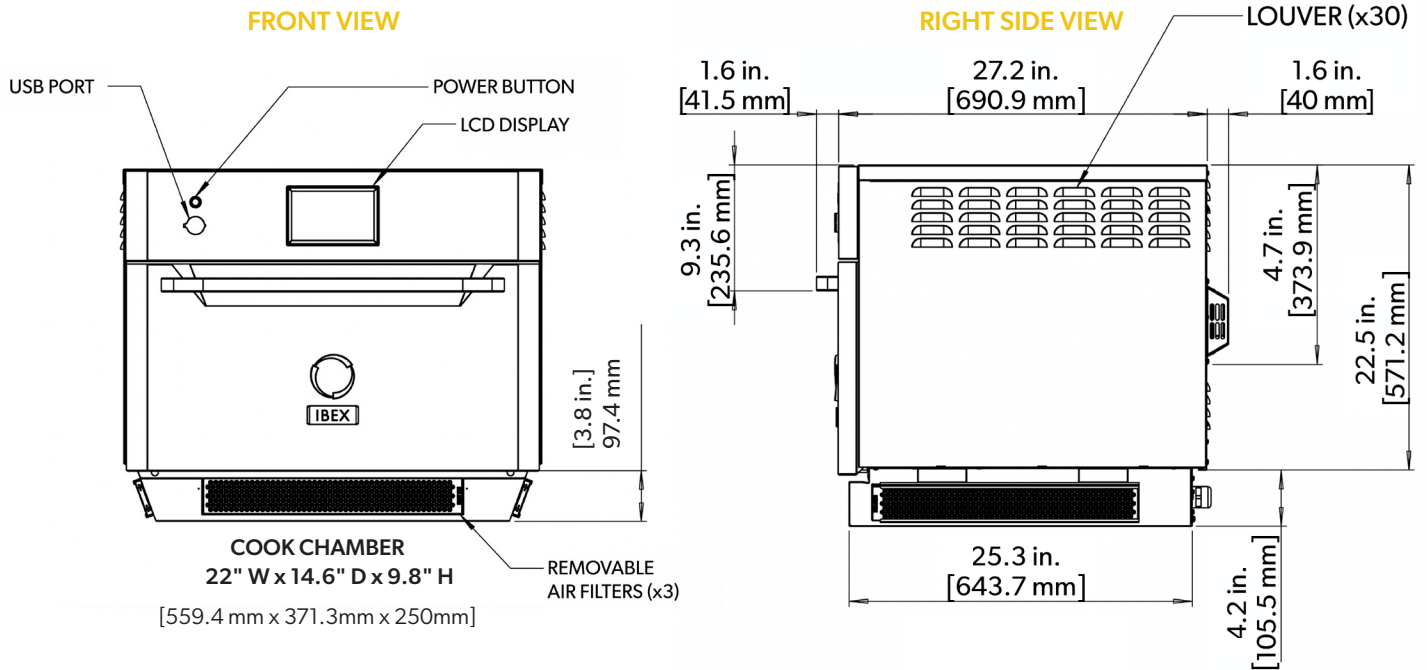
IBEX OVEN Solid-State Radio Frequency Oven

WALL CLEARANCES

Rear 2" (51mm)
Side 2" (51mm)
Height 12" (305mm)

[QUICK START GUIDE](#)

[OWNERS MANUAL](#)



Location	Width	Depth	Height	Weight	
				without crate	with crate
Exterior	32.2" [818 mm]	30.5" with handle 28.8" without handle [775/732 mm]	26.7" [678 mm]	235lbs [107 kg]	285lbs [129 kg]
Cook Chamber	22" [559.4 mm]	14.6" [371.3 mm]	9.8" [250mm]	All ovens are packaged in a wooden crate and banded to a wooden skid. Box size: 36" W x 35" L x 27" H	
Cooking Trays U.S. Half Sheet	13" [330.2 mm]	18" [457.2 mm]			

Model	Voltage	Plug Type		# of Phases	Amps	Frequency	Circuit Breaker	Watts
IBEX1BV1PBB	240 VAC		NEMA 6-50P	1	24 A	60 Hz	50 A	6,000 W
IBEX1AV1PBB	208 VAC							
IBEX1BV3PBB	240 VAC		NEMA 15-30P	3	24 A	60 Hz	30 A	6,000 W
IBEX1AV3PBB	208 VAC							

As continued product improvement is a policy of IBEX, specifications are subject to change without notice.

